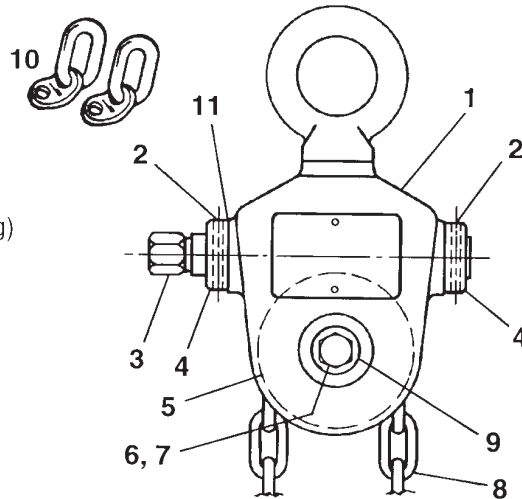
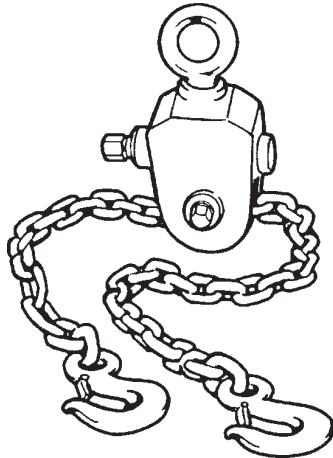
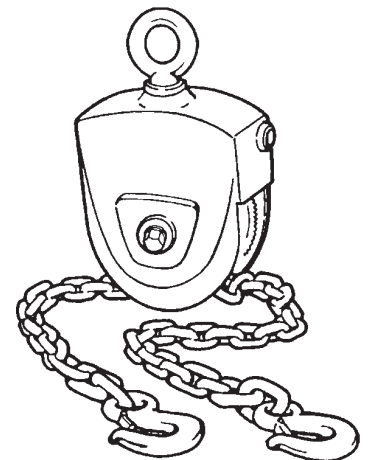


## Load-Rotor® Positioning Slings

**LR2000**  
Max. Capacity=2,000 lbs. (909 kg)



**LR4000**  
Max. Capacity=4,000 lbs. (1,818 kg)



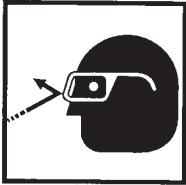
### No. LR2000 Parts List

Item No.	Part No.	No. Req'd	Description
1	31627	1	Frame Machine
2	10973	2	Pin
3	23524	1	Worm
4	23728	2	Collar
5	23525	1	Chain Block
6	211184	1	Pin
7	211185	2	Screw
8	31609	1	Chain and Hooks
9	10258	2	Washer (for 3/8" bolt)
10	24247	2	Bracket / Link

### No. LR4000 Parts List

Item No.	Part No.	No. Req'd	Description
1	40568	1	Frame Machine
2	10973	2	Pin
3	31803	1	Worm
4	23728	2	Collar
5	40569	1	Chain Block
6	211186	1	Pin
7	211187	2	Screw
8	31800	1	Chain and Hooks
9	13324	2	Washer
10	24247	2	Bracket / Link
11	214046	2	Spacer Shim

## SAFETY PRECAUTIONS



**CAUTION:** To prevent personal injury or equipment damage,

- Read, understand, and follow the safety precautions and operating instructions.
- Wear eye protection that meets ANSI Z87.1 and OSHA standards.
- Do not exceed the maximum rated capacity for each positioning sling: LR2000 = 2,000 lbs. or 909 kg; LR4000 = 4,000 lbs. or 1,818 kg.
- Both ends of the chain must support the load; do NOT lift an object by attaching only one end of the chain. The weight of the load must be balanced as it's lifted.
- Use a speed handle and socket on the 5/8" hex drive to tilt or level the sling; do NOT use a power impact wrench.
- Do not exceed a 90° angle between the chains when lifting a load. See Figure 1.
- Do NOT use this load rotor for overhead lifting. Stay out from underneath a suspended load.
- Frequently inspect the rotor for any damaged or worn parts. Use only approved repair parts. Do not alter or modify the rotor in any way.

## OPERATING INSTRUCTIONS

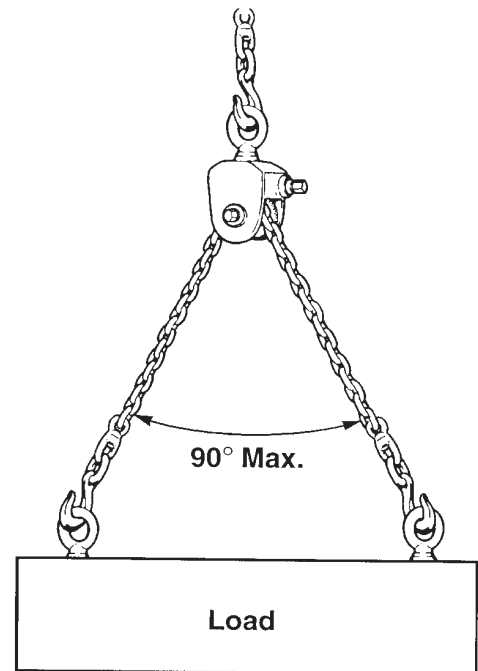
The positioning slings are used with a crane or hoist to handle and position large, bulky components. Horizontal tilt may be adjusted to compensate for off-center loads, or for an alignment angle, during disassembly or reassembly.

1. Attach the sling's lifting eye to the hook on the lifting device.
2. Attach the hooks on the ends of the sling's chains to suitable locations on the object. The weight of the load must be balanced as it's lifted.
3. Use a speed handle and socket on the 5/8" hex drive to tilt or level the sling. **Important:** Using a power impact wrench will damage the sling.

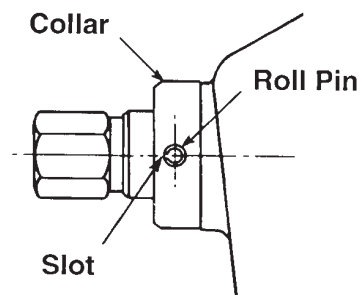
## MAINTENANCE

The sling requires no maintenance under normal use. The worm-and-gear unit has been permanently lubricated at the factory. However, if the sling has been disassembled for repair, the following procedures must be performed:

1. Refer to the parts list in this document. Use Lubriplate Grease No. 130-A (or equivalent) to coat the worm gear and the inner contact surfaces of the collars (Item #4).
2. During reassembly, when replacing roll pins (Item #2) in the collars (Item #4), align the slot of each pin with the centerline of the worm shaft. See Figure 2.



**Figure 1**



**Figure 2**